

**This electronic collection of documents is provided
for the convenience of the user
and is Not a Certified Document –**

**The documents contained herein were originally issued
and sealed by the individuals whose names and license
numbers appear on each page, on the dates appearing
with their signature on that page.**

**This file or an individual page
shall not be considered a certified document.**

CROSS SECTION INDEX

ALIGNMENT

SHEET NUMBER

-LDET-

X-2 TO X-5

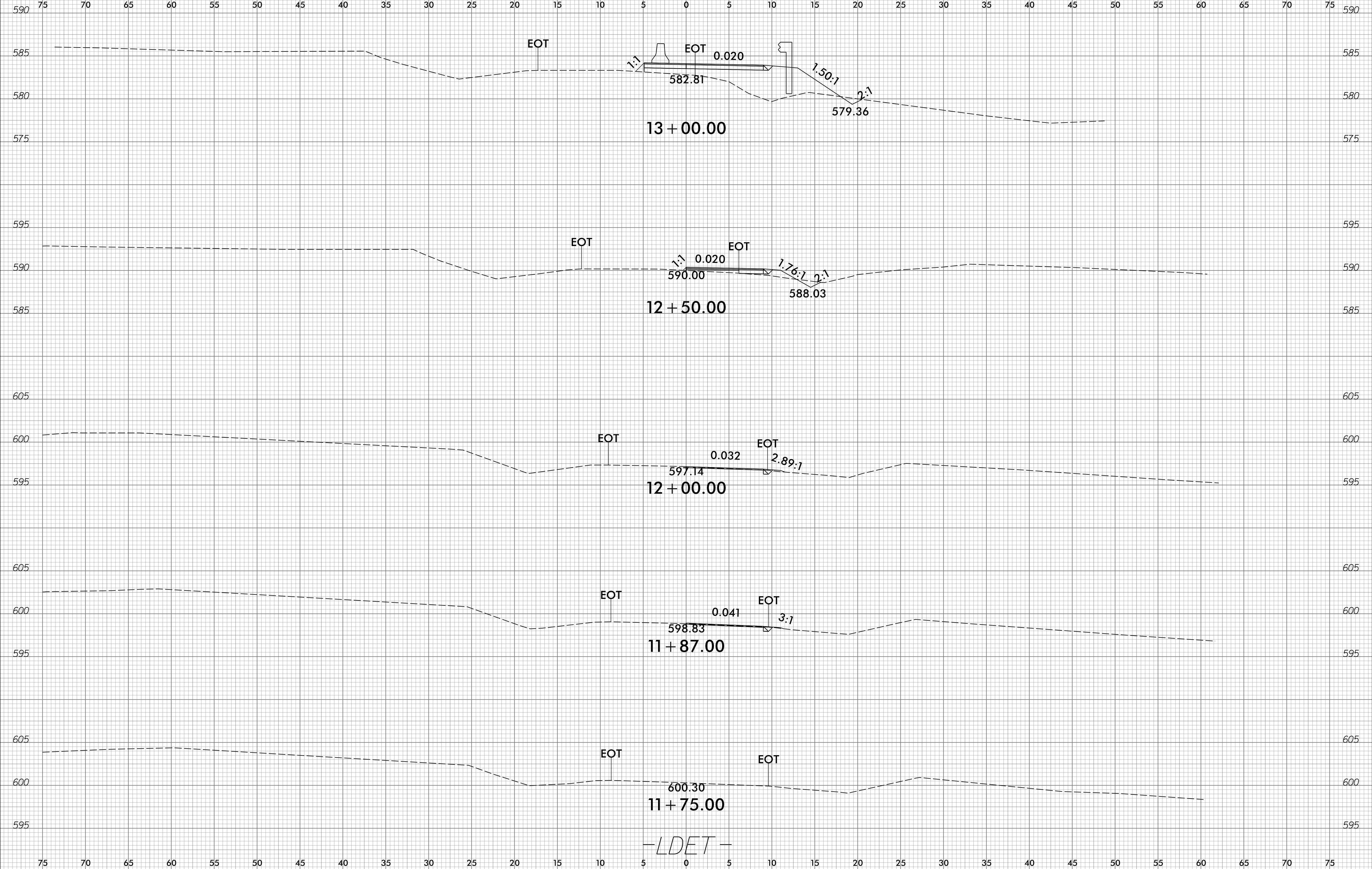
-L-

X-6 TO X-8

6/23/16



PROJ. REFERENCE NO.	SHEET NO.
BP7-C002	X-2



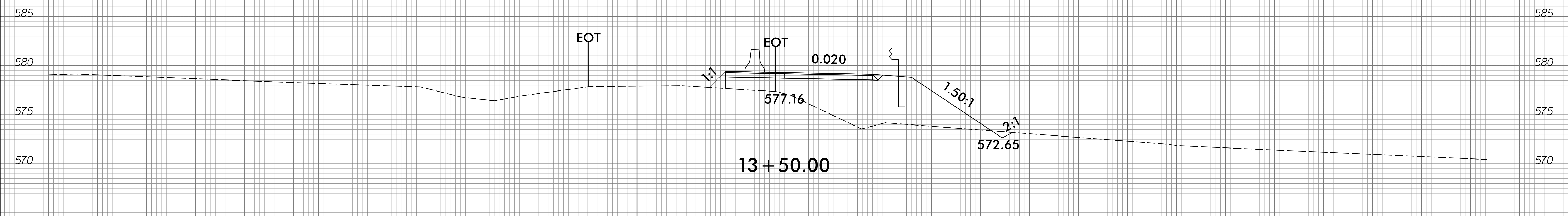
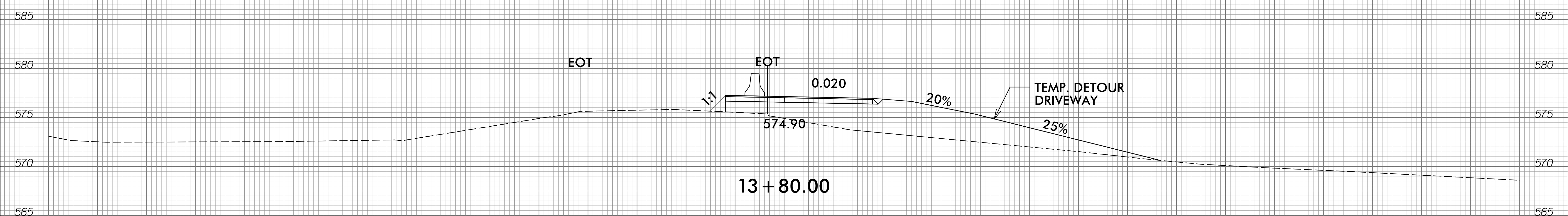
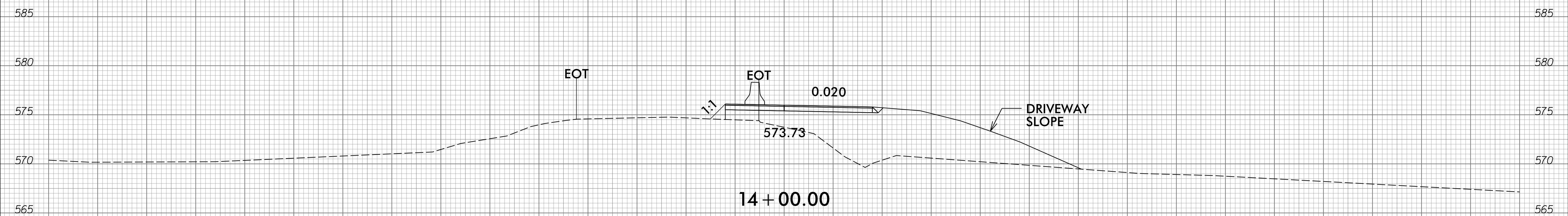
G:\2025\06\10704-03\20 CAD\BP7.C002\1\Roadway\XSC\BP7.C002\1.rdy.xpl.LDET.dgn

6/23/16



PROJ. REFERENCE NO. BP7-C002	SHEET NO. X-3
---------------------------------	------------------

75 70 65 60 55 50 45 40 35 30 25 20 15 10 5 0 5 10 15 20 25 30 35 40 45 50 55 60 65 70 75



-LDET-

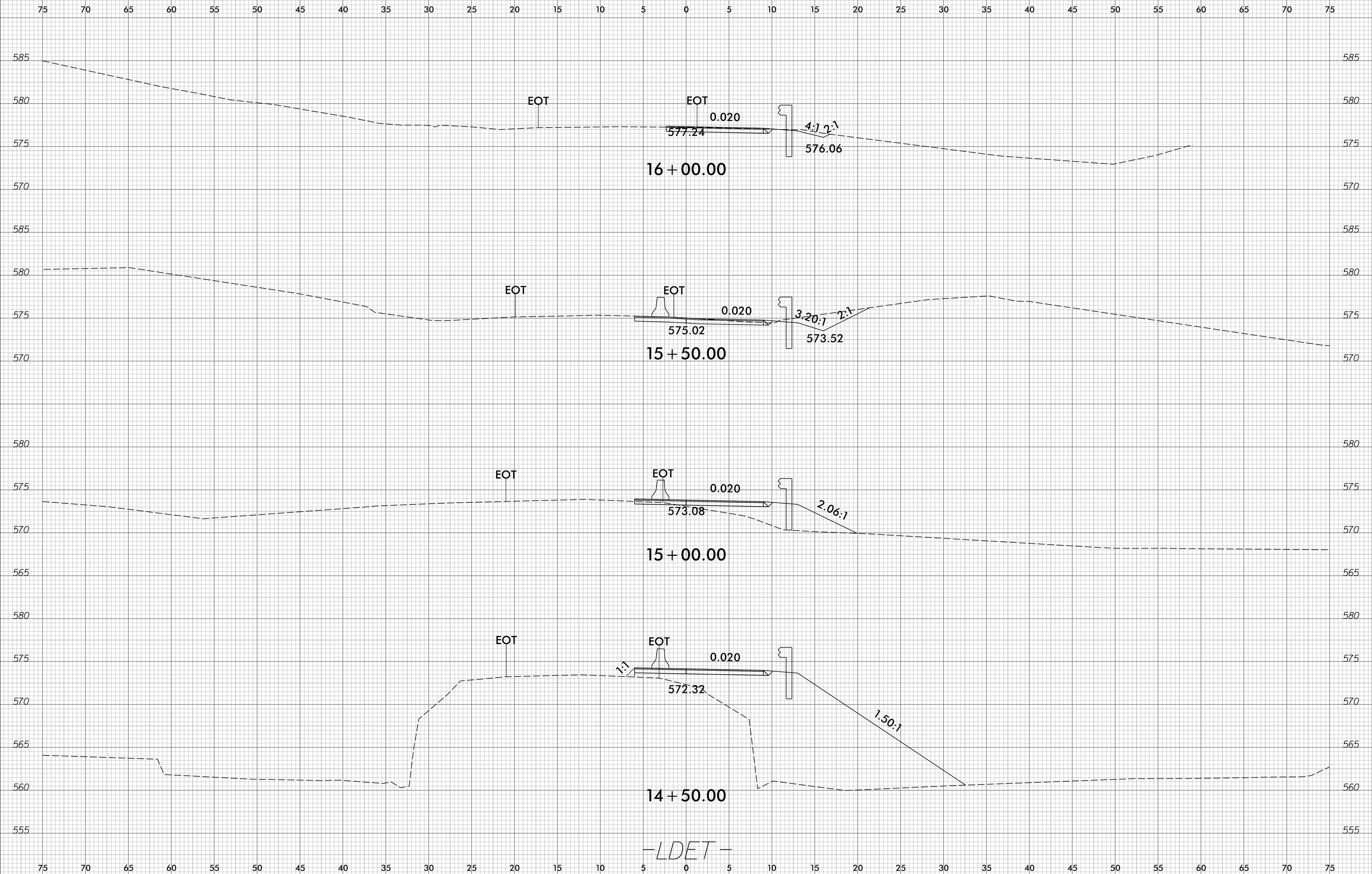
75 70 65 60 55 50 45 40 35 30 25 20 15 10 5 0 5 10 15 20 25 30 35 40 45 50 55 60 65 70 75

12/9/2025
 G:\RA\10704-03\20 CAD\BP7.C002\1\Roadway\XSC\BP7.C002.1.rdy.xpl.LDET.dgn
 gmc0111

6/23/16



PROJ. REFERENCE NO. BP7-C002	SHEET NO. X-4
---------------------------------	------------------



-LDET-

G:\2025\10704-03\20 CAD\BP7.C002\1\Roadway\XSC\BP7.C002.1.rdy.xpl.LDET.dgn

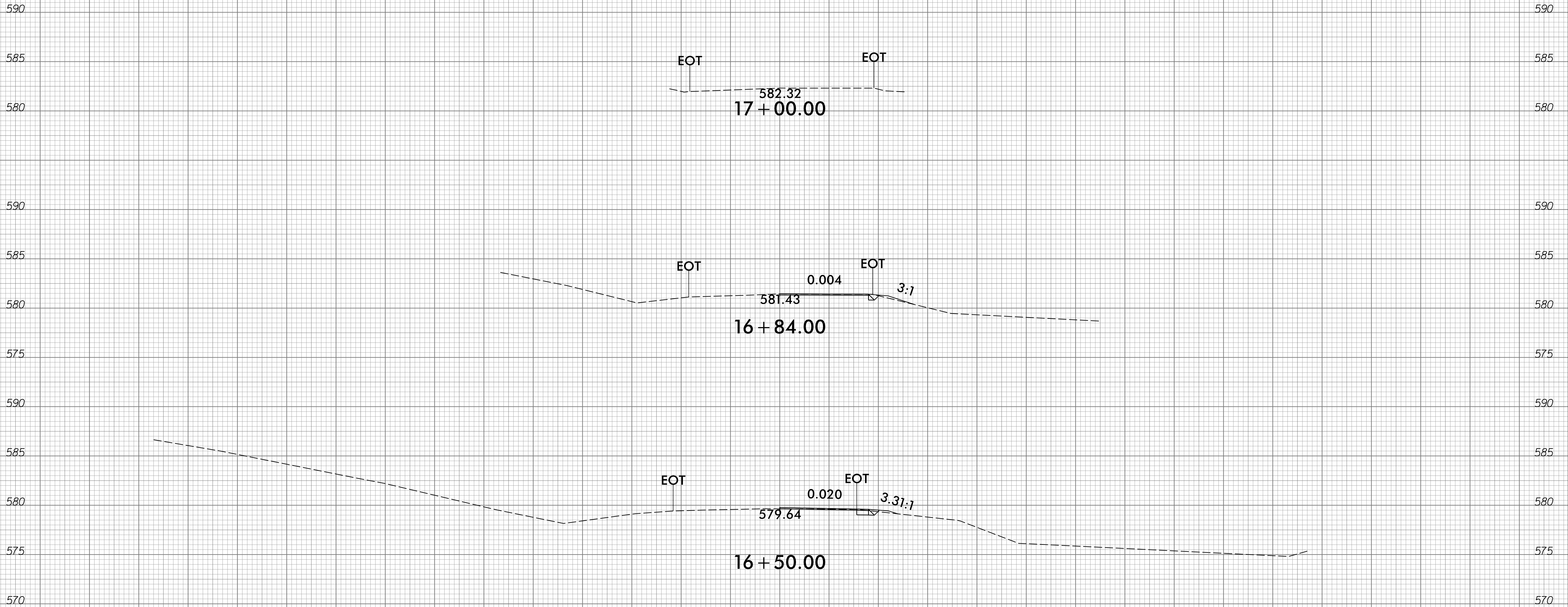
6/23/16



PROJ. REFERENCE NO.
BP7-C002

SHEET NO.
X-5

75 70 65 60 55 50 45 40 35 30 25 20 15 10 5 0 5 10 15 20 25 30 35 40 45 50 55 60 65 70 75



75 70 65 60 55 50 45 40 35 30 25 20 15 10 5 0 5 10 15 20 25 30 35 40 45 50 55 60 65 70 75

12/9/2025
G:\RA\10704-03\20 CAD\BP7.C002\1\Roadway\XSC\BP7.C002.1.rdy.xpl.LDET.dgn
gmodlin

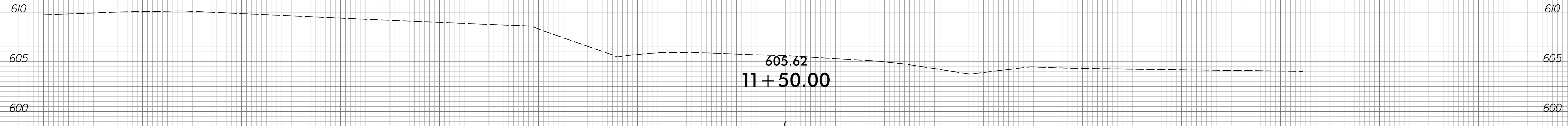
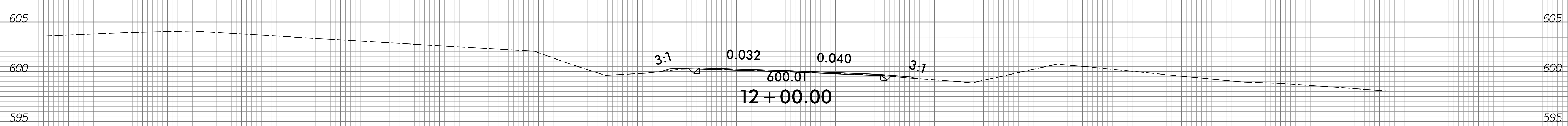
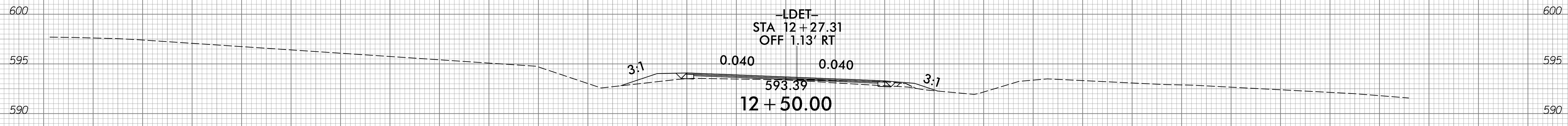
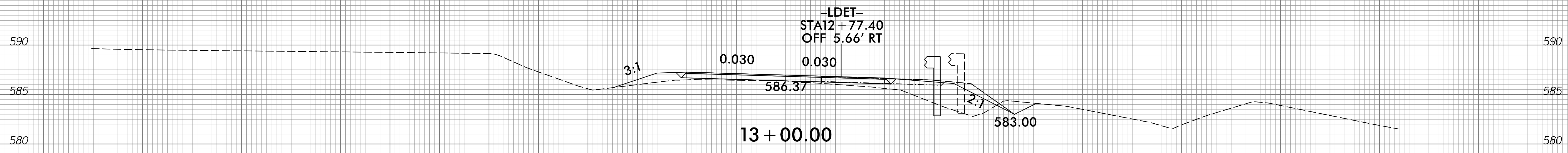
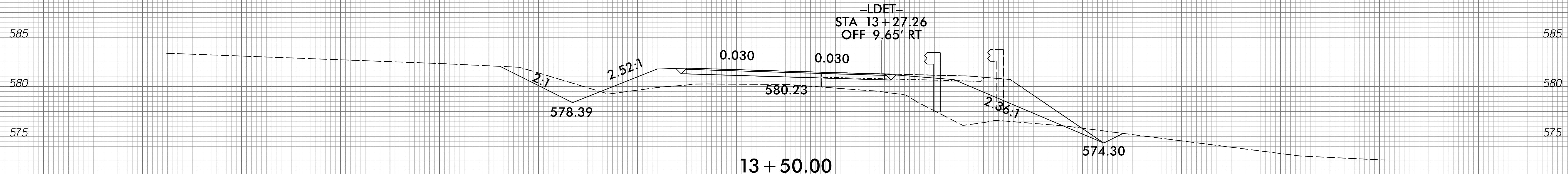
6/23/16



PROJ. REFERENCE NO.
BP7-C002

SHEET NO.
X-6

75 70 65 60 55 50 45 40 35 30 25 20 15 10 5 0 5 10 15 20 25 30 35 40 45 50 55 60 65 70 75



75 70 65 60 55 50 45 40 35 30 25 20 15 10 5 0 5 10 15 20 25 30 35 40 45 50 55 60 65 70 75

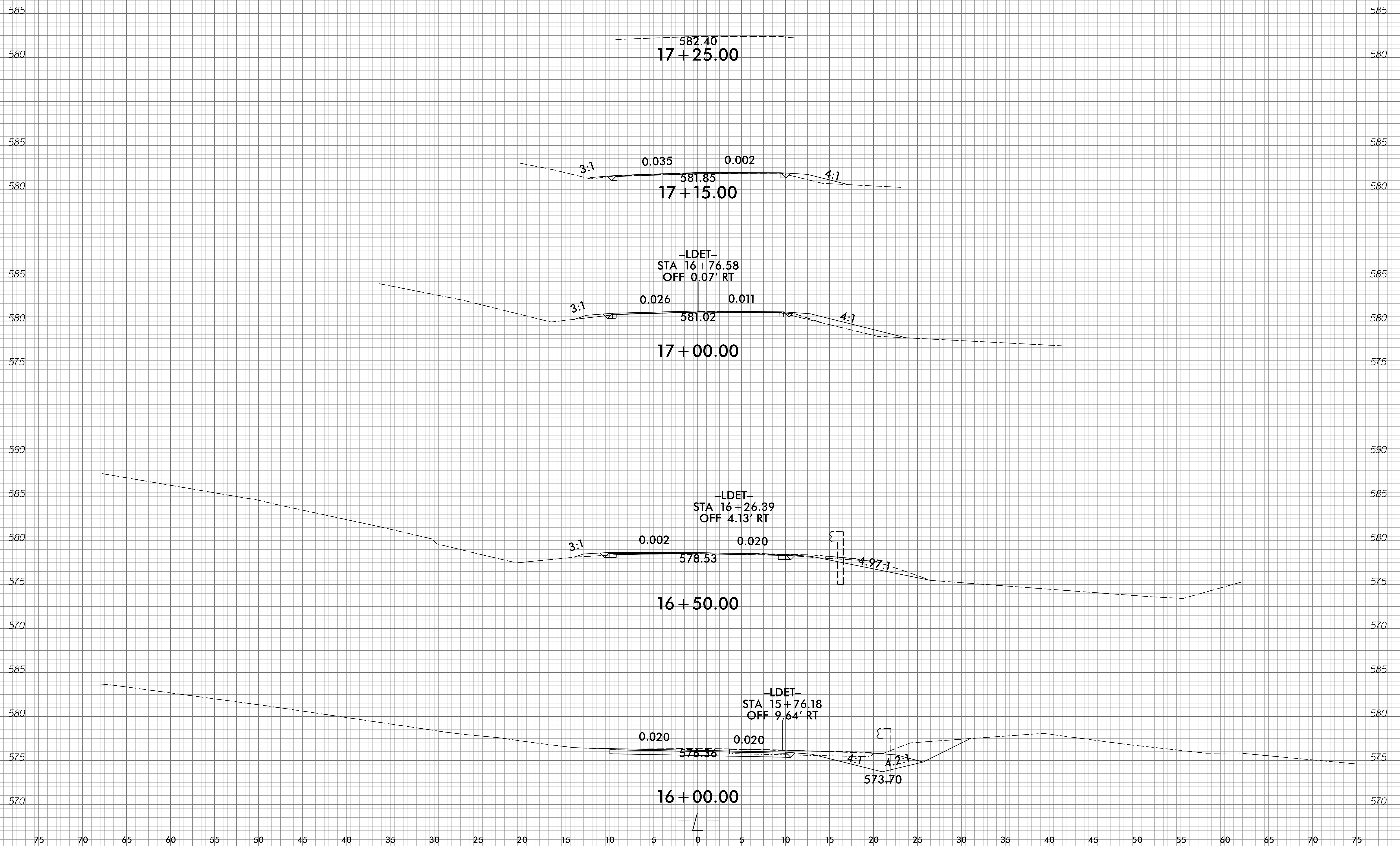
12/9/2025
G:\RA\10704-03\20 CAD\BP7.C002\1\Roadway\XSC\BP7.C002\1.rdy.xpl.L.dgn
gncdlin

6/23/16



PROJ. REFERENCE NO.	SHEET NO.
BP7-C002	X-8

75 70 65 60 55 50 45 40 35 30 25 20 15 10 5 0 5 10 15 20 25 30 35 40 45 50 55 60 65 70 75



12/9/2025
 G:\RA\10704-03\20 CAD\BP7.C002\1\Roadway\XSC\BP7.C002.1.rdy.xpl.L.dgn
 gmc0111

75 70 65 60 55 50 45 40 35 30 25 20 15 10 5 0 5 10 15 20 25 30 35 40 45 50 55 60 65 70 75